



# RMI -ROOF REPAIR KITS - INSTALLATION SHEET

## TYPICAL PENETRATION / SUPPORT

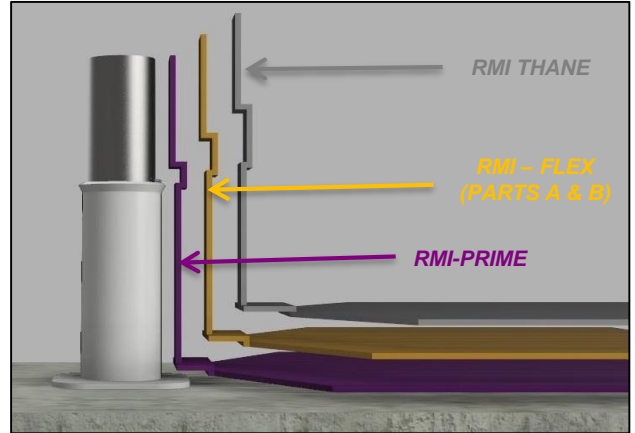


**RMI-REPAIR KITS are comprised of RMI- Prime, RMI-FLEX (Parts A & B) and RMI-Thane.**  
Please follow the instructions for proper application and performance.

Suitable substrates include: Concrete, LIC, Metal, Metal Roof Panels & existing roof systems (BUR, Modified Bitumen, Cold Process, EPDM, Spray Polyurethane Foam, PVC, and TPO). /

### EACH KIT CONTAINS:

- REPAIR 10 (Sq. Ft.)
  - ✓ RMI-Prime: ½ Pint (0.237L) (Fast dry additive not included)
  - ✓ RMI-Flex Part A (ISO): ½ Pint (0.237L)
  - ✓ RMI-Flex Part B (Resin) 1 Quart (0.946353L)
  - ✓ RMI-Thane (Silver Surface Coating) 1 Pint (0.473L)
  - ✓ Stir Sticks – Mil Thickness Gauges
  
- REPAIR 50 (Sq. Ft.)
  - ✓ RMI-Prime: 1 Pint (0.473L) (Fast dry additive not included)
  - ✓ RMI-Flex Part A (ISO) 1 Pint (0.473L)
  - ✓ RMI-Flex Part B (Resin) 1 Gallon (3.8L)
  - ✓ RMI-Thane (Silver Surface Coating) 2 Quart (.946L each)
  - ✓ Stir Sticks – Mil Thickness Gauges
  
- REPAIR 100 (Sq. Ft.)
  - ✓ RMI-Prime: 1 Quart (0.946353L)
  - ✓ (Fast dry additive not included)
  - ✓ RMI-Flex Part A (ISO) 2 Pints (0.473L) each
  - ✓ RMI-Flex Part B (Resin) 2 Gallons (3.8L) each
  - ✓ RMI-Thane (Silver Surface Coating) 1 Gallon (3.8L)
  - ✓ Stir Sticks – Mil Thickness Gauges

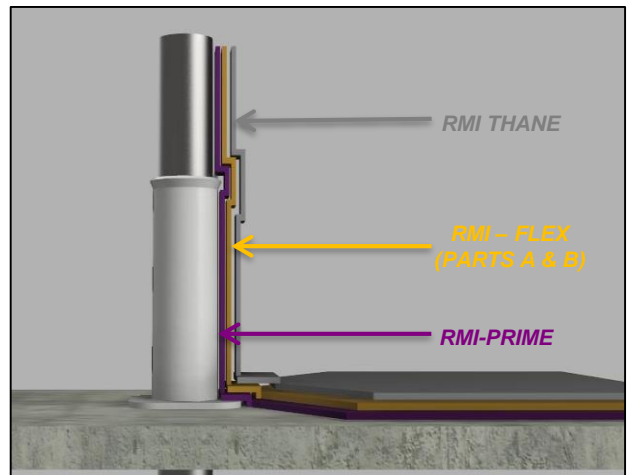


*(WHILE RMI PRODUCTS ARE VERSATILE, EACH APPLICATION PRESENTS A UNIQUE SET OF CONDITIONS FOR OPTIMAL PERFORMANCE, SAFETY & REGULATORY COMPLIANCE. IT IS THE RESPONSIBILITY OF THE USER TO ENSURE CONDITIONS ARE PROPERLY ACCESSED. RATES OF APPLICATION MAY VARY/INCREASE WITH DIFFERENT SURFACES. AS SUCH THE FOLLOWING INSTRUCTIONS ARE OFFERED AS A GUIDE TO INSTALLATIONS. OFFERS NO OPINION ON AND EXPRESSLY DISCLAIMS ANY IMPROPER SOUNDNESS OF ANY SURFACE OR IMPROPER INSTALLATION BY THE USER ON WHICH ITS PRODUCTS MAY BE APPLIED. IT IS THE RESPONSIBILITY OF THE USER TO MAKE THE BUILDING OWNER AWARE OF THESE LIMITATIONS.)*

### STEP A. APPLICATION INSTRUCTIONS – PREPARATION

1. Surface to be dry, clean, and free of debris. Cleaning applies to all surfaces to receive RMI repair.
2. Remove all dirt, rust, scale, grease, oil, mildew, or any other substances from surfaces prior to surface washing. Ensure methods of washing do not damage roof surface or substrate.
3. Drying time will vary upon local conditions for rinsed surface prior to continuing with repair. Surface must be completely dry.
4. RMI RECOMMENDS THE USE OF ALL APPROPRIATE PERSONAL PROTECTION EQUIPMENT (PPE) DURING PREPARATION AND INSTALLATION OF RMI PRODUCTS.

*See other side for additional installation instructions*





## **STEP B. APPLICATION INSTRUCTIONS – RMI-PRIME**

1. Install RMI Prime at specified rate for applicable surface prior to RMI-Flex. Flex requires a primer.
  - ✓ Concrete: 1 Gal (3.8L) /350-400 ft<sup>2</sup> (32-37 m<sup>2</sup>)
  - ✓ Metal: 1 Gal (3.8L) /1000 sf. ft<sup>2</sup> (93 m<sup>2</sup>)
  - ✓ BUR / APP Mod. Bit (Smooth) 1 Gal (3.8L) /500-600 ft<sup>2</sup> (46-55 m<sup>2</sup>)
  - ✓ BUR / SBS Cap Sheet (Granule) 1 Gal (3.8L) /400-500 ft<sup>2</sup> (32-46 m<sup>2</sup>)
  - ✓ EPDM, PVC, TPO (Single Ply) 1 Gal (3.8L) /400-500 ft<sup>2</sup> (32-46 m<sup>2</sup>)
  - ✓ BUR Gravel (Remove Gravel) 1 Gal (3.8L) /350-400 ft<sup>2</sup>. (32-37 m<sup>2</sup>)
2. Shake can well prior to opening.
3. Using paint brush or roller, spread RMI-Prime on desired surface at designated application rate. Extra care should be taken to ensure material is spread evenly and not allowed to puddle as this may cause RMI-Prime to dry improperly.
4. RMI-Prime should be allowed to dry fully before installing materials over top. Dry time is approximately 2 hours depending on ambient conditions. RMI-Prime Additive can be used to increase dry time. (Item sold separately)

## **STEP C. APPLICATION INSTRUCTIONS – RMI-FLEX (PARTS A & B)**

1. Install RMI-Flex at specified rate for applicable surface prior to RMI-Thane.  
RMI-Flex Equivalency Rate; 1 gal (3.8L) per 100 Sq. Ft . = 16 Wet/Dry Mills. Application rates for RMI-Flex vary depending on substrate or application. Please see RMI Specification Manual for exact application rates. Typical rates include:
  - ✓ Minimum 32 Mil / 2 Gal (7.58L) : Typical repairs
  - ✓ Minimum 64 Mil / 4 Gal: (15.15L) : Drain repairs
2. Prior to mixing materials customer should ensure that they have both parts A & B in their correct quantities. Both cans should be thoroughly shaken before opening.
  - ✓ RMI-Flex Isocyanate (ISO) part A is packaged in the smaller of the two containers in each kit. The label and material are green in color.
  - ✓ RMI-Flex Resin (Flex) part B is packaged in the larger of the two containers in a kit. The label and material is yellow in color.
  - ✓ Mixing the two components thoroughly is required to ensure proper setup of the materials.
3. When mixing a kit an installer should pour the full contents of the Part A container into the container containing Part B.
4. Then using a stir stick or paddle mixer, mix the two materials until a uniform color is achieved. Make sure to get the sides and bottom of the container and mix until all green color has disappeared. When pouring mixed material out of container do not scrap mixture from bottom or sides of container.
5. When applying the mixed RMI-Flex, it can be applied using brush or roller.
6. RMI-Flex has a pot life of approximately 15 minutes. Setup times will be determined by ambient air temperature. Mixed material will setup, do not expect to be able to reuse material at a later time. Do not mix more material than can be comfortably applied within the set up time.
7. Curing times of RMI-Flex may vary based on ambient air temperatures and moisture/ humidity levels. Typically Flex will require 15 to 30 minutes to fully cure. Material may remain tacky (this is normal) for extended period of time however this does not effect recoat times. Recoat may take place once material has fully cured. Water will have no effect on Flex once cured.

## **STEP D. APPLICATION INSTRUCTIONS – RMI-THANE**

1. Install RMI-Thane at specified rate for applicable surface.
  - ✓ RMI Thane should be installed at 1.0 gallons per 100 SQFT for repairs.
  - ✓ Do not exceed specified application rate in one coat. If more material is desired use multiple coats.
2. Shake can well prior to opening.
3. Using paint brush or roller, spread RMI-Thane on desired surface at designated application rate. Extra care should be taken to ensure material is spread evenly and not allowed to puddle as this may cause RMI-Thane to dry improperly.
4. RMI-Thane has a dry time of approximately 4 hours with a 24 hour cure. Ambient temperatures and moisture/ humidity levels may cause variations in dry time.